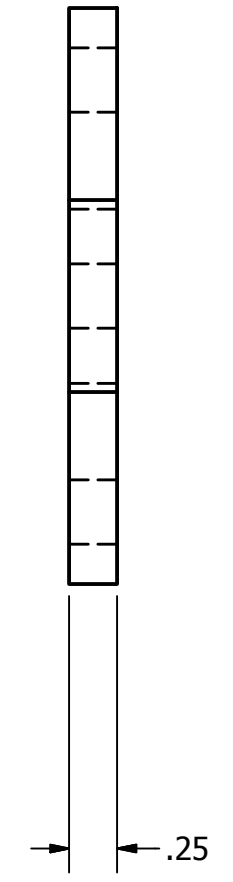
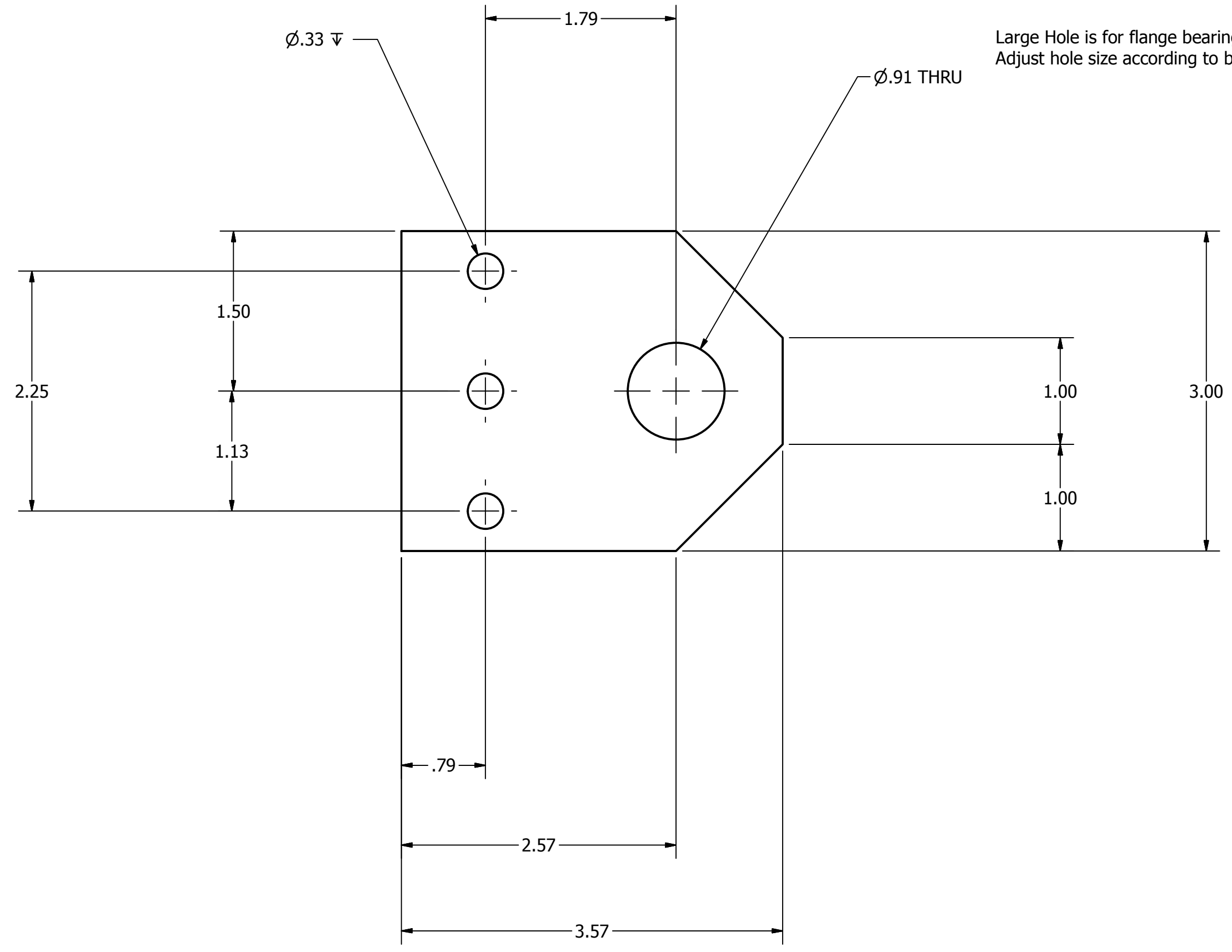
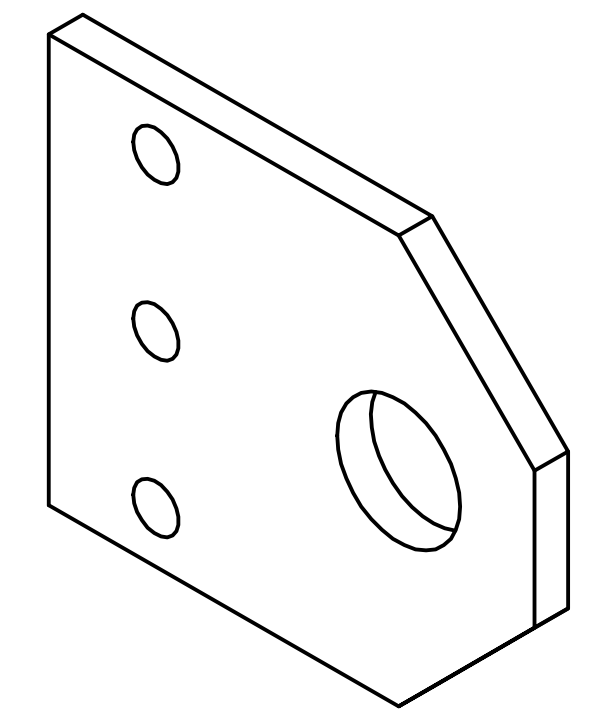


4 3 2 1

D  
C  
B  
A

D  
C  
B  
A



Material: Aluminum  
Required: 2 pcs.

DRAWN stc21630	1/25/2011		
CHECKED		TITLE	
QA			
MFG			
APPROVED			
		SIZE C	DWG NO Arm Mount plate
		SCALE	REV
		SHEET 1 OF 1	

4 3 2 1